



Q.E.E.D.

QUALITY ELECTRONIC DESIGN

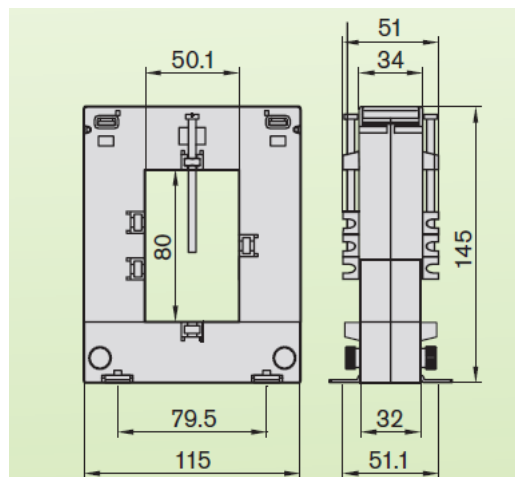
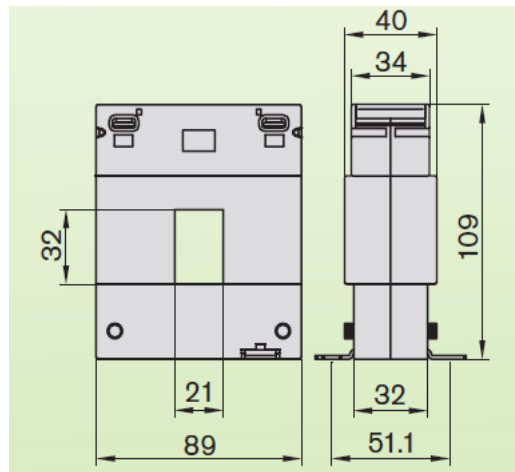
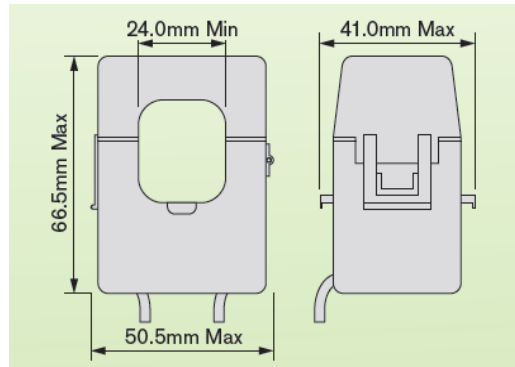
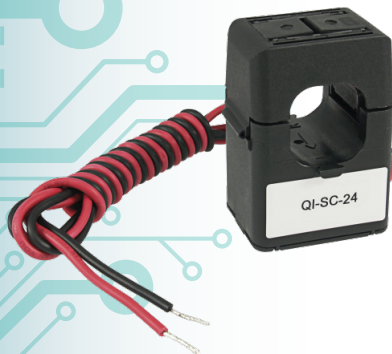
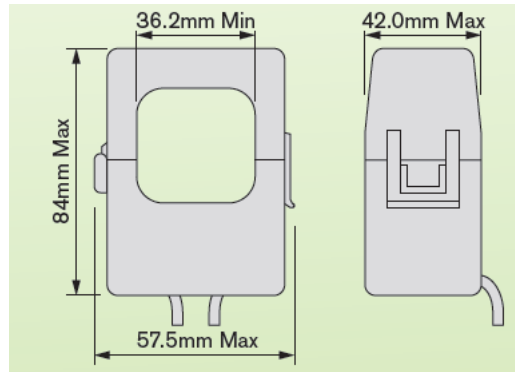
Q.E.E.D.
WWW.QEED.IT
INFO@QEED.IT

D.E.M. S.p.A.
WWW.DEM-IT.COM

**TRASFORMATORI AMPEROMETRICI APRIBILI
SPLIT CORE CURRENT TRANSFORMERS** **QI-SC**



**SECONDARIO a 5 A:
SECONDARY at 5A:**



**CODICI DI ACQUISTO:
PURCHASE CODES:**

- QI-SC-36-300/5**
- QI-SC-36-400/5**
- QI-SC-36-600/5**

- QI-SC-24-100/5**
- QI-SC-24-200/5**
- QI-SC-24-300/5**

- QI-SC-DBP23-100/5**
- QI-SC-DBP23-200/5**
- QI-SC-DBP23-300/5**
- QI-SC-DBP23-400/5**

- QI-SC-DBP58-400/5**
- QI-SC-DBP58-500/5**
- QI-SC-DBP58-600/5**
- QI-SC-DBP58-800/5**
- QI-SC-DBP58-1000/5**

QI-SC
**TRASFORMATORI AMPEROMETRICI APRIBILI
SPLIT CORE CURRENT TRANSFORMERS**

